

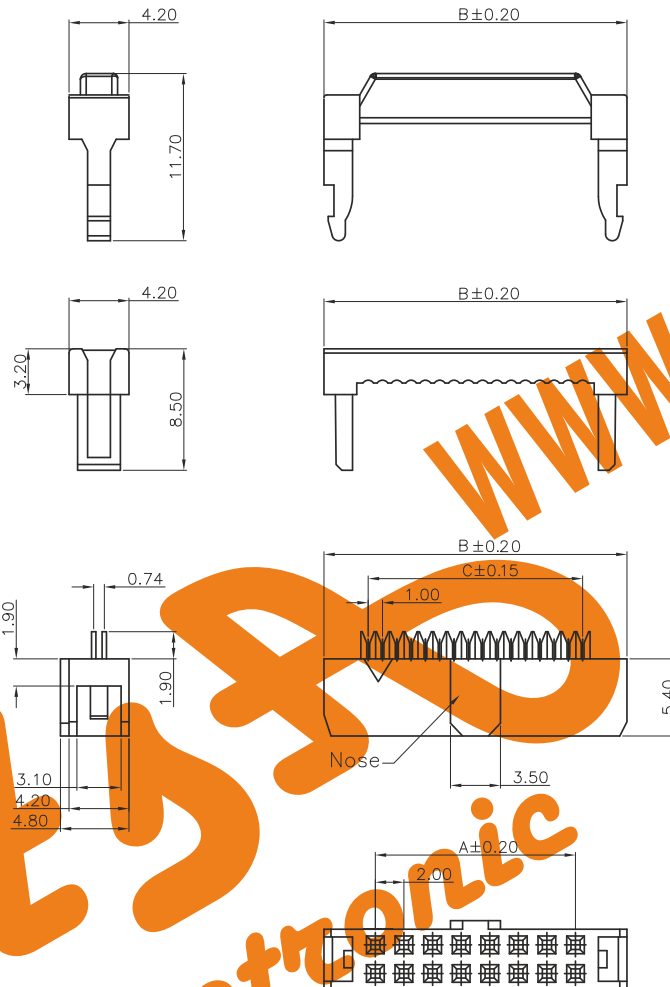
1

2

3

4

5



TECHNICAL CHARACTERISTICS

MATERIAL
 INSULATOR: PBT
 COLOR: BLACK
 CONTACT MATERIAL: COPPER ALLOY
 CONTACT TYPE: STAMPED
 CONTACT PLATING: SELECTIVE GOLD
 QUALITY CLASS: 3 AS PER CECC 75 301-802
 PITCH: 2.00 MM
 AWG: 28 / 1.00 MM RIBBON FLAT CABLE

ENVIRONMENTAL
 OPERATING TEMPERATURE: -40 UP TO 125°C
 FLAMMABILITY RATING: UL94-V0
 COMPLIANCE: LEAD FREE AND ROHS

ELECTRICAL
 CURRENT RATING: 1 A MAX
 WORKING VOLTAGE: 250 VAC
 INSULATOR RESISTANCE: >1000 MOHM
 DIELECTRIC WITHSTANDING VOLTAGE: 500 VAC/MN
 CONTACT RESISTANCE: 20 MOHM MAX

STANDARD
 CERTIFIED: E323964

PACKAGING
 TRAY

DIMENSION
 A = 2.00 x (NB PINS / 2 - 1)
 B = 2.00 x (NB PINS / 2) + 5.20
 C = 1.00 x (NB PINS - 1)

NOTE
 THE STRAIN RELIEF IS NOT COMPATIBLE WITH THE
 3 PARTS: 6250xx22021, 6250xx22121 & 6250xx230621

 WWW.AsA-Elec.com

AsA Electronic Co.

Tel : (+98) 21 66 73 56 82 Mob : (+98) 912 03 161 02

RoHS Compliant

PROJECTION:



GENERAL TOLERANCE

.X = \pm 0.2

.XX = \pm 0.15

Telegram:09396994470

UNIT: MM

SCALE:

DRAW: WENDY

DESCRIPTION: 2.00MM FEMALE IDC CONNECTOR WITH STRAIN RELIEF

SIZE

A4

J			
I	21-FEV-18	DRAWING	AK
H	07-SEP-16	NOTE	AK
REV	DATE	FILE	BY